

MEX3 (Bayonet bezel)

Industrial pressure gauge

MEX3-###.###/

Overview

- For corrosive gases and liquids
- Class 1.6 according to EN 837-1
- Wetted parts: Stainless steel
- Case with bayonet bezel



Picture similar



Technical data

Housing

Nominal size	63 mm
Case material	Stainless steel 1.4301 / AISI 304 Stainless steel 1.4404 / AISI 316L, optional
Type of housing	Bayonet bezel
Bezel ring material	Stainless steel 1.4301 / AISI 304 Stainless steel 1.4404 / AISI 316L, optional
Window material	Instrument glass
Window gasket	Elastomer
Protection rating (EN 60529)	IP65
Dial	White, Aluminium
Pointer	Black, PVA
Movement material	Stainless steel
Safety according to EN 837-1	S1, with window polycarbonate or Laminated safety glass

Temperature

Ambient temperature	-20°C ... +70°C
Storage temperature	-40°C ... +70°C
Media temperature	-40°C ... +200°C (not filled)

Wetted parts

Process connection material	Stainless steel 1.4404 / AISI 316L
Bourdon tube	Stainless steel 1.4404 / AISI 316L

Performance

Accuracy according to EN 837-1	Class 1.6
Min. measuring range	0 ... 1 bar
Max. measuring range	0 ... 1000 bar
Type of pressure	Gauge Compound Vacuum
Pressure limitation	Steady: 75 % of full scale value Fluctuating: 65 % of full scale value Short time: 100 % of full scale value

Thermal drift (reference: +20 °C) ± 0.4 % FS/10K

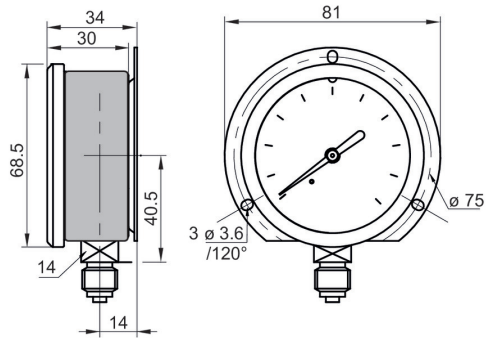
Weight

Gauge	130 g unfilled 180 g filled
-------	--------------------------------

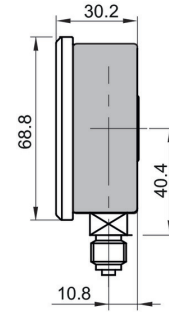
Approval / Conformities

ATEX	Ex II 2 GDC-IM2c
------	------------------

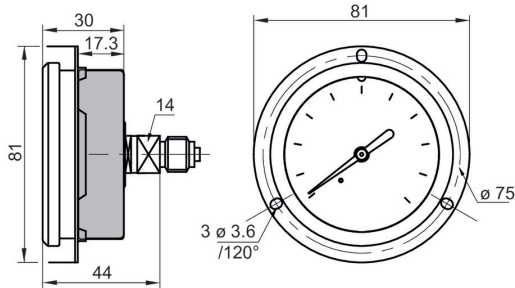
Dimensional drawings (mm)



Type A

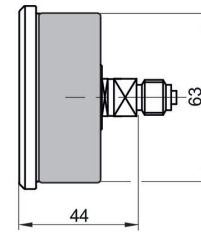


Type D

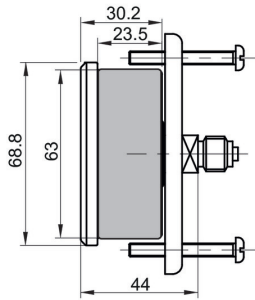


Type B

Panel cut-outs: $\varnothing = 65.5$ mm



Type F



Type G

Panel cut-outs: $\varnothing = 65.5$ mm

MEX3 (Bayonet bezel)

Industrial pressure gauge

MEX3-###.###/

Measuring ranges

Code	Bar	Code	kPa	Code	kg/cm ²	Code	psi
B59	-1 ... 0	D59	-100 ... 0	F59	-1 ... 0	H59	-30" Hg ... 0
B72	-1 ... 0.6	D72	-100 ... 60	F72	-1 ... 0.6	H73	-30" Hg ... 15
B74	-1 ... 1.5	D74	-100 ... 150	F74	-1 ... 1.5	H75	-30" Hg ... 30
B76	-1 ... 3	D76	-100 ... 300	F76	-1 ... 3	H2C	-30" Hg ... 60
B77	-1 ... 5	D77	-100 ... 500	F77	-1 ... 5	H78	-30" Hg ... 100
B79	-1 ... 9	D79	-100 ... 900	F79	-1 ... 9	H79	-30" Hg ... 150
B81	-1 ... 15	D81	-100 ... 1 500	F81	-1 ... 15	H81	-30" Hg ... 220
B82	-1 ... 24	D82	-100 ... 2 400	F82	-1 ... 24	H82	-30" Hg ... 300
B15	0 ... 1	D15	0 ... 100	F15	0 ... 1	H15	0 ... 15
B16	0 ... 1.6	D16	0 ... 160	F16	0 ... 1.6	H1C	0 ... 20
B18	0 ... 2.5	D18	0 ... 250	F18	0 ... 2.5	H17	0 ... 30
B19	0 ... 4	D19	0 ... 400	F19	0 ... 4	H19	0 ... 60
B20	0 ... 6	D20	0 ... 600	F20	0 ... 6	H21	0 ... 100
B22	0 ... 10	D22	0 ... 1 000	F22	0 ... 10	H22	0 ... 160
B24	0 ... 16	D24	0 ... 1 600	F24	0 ... 16	H23	0 ... 200
B26	0 ... 25	D26	0 ... 2 500	F26	0 ... 25	H25	0 ... 300
B27	0 ... 40	D27	0 ... 4 000	F27	0 ... 40	H26	0 ... 400
B29	0 ... 60	D29	0 ... 6 000	F29	0 ... 60	H27	0 ... 600
B31	0 ... 100	D31	0 ... 10 000	F31	0 ... 100	H30	0 ... 1 000
B33	0 ... 160	D33	0 ... 16 000	F33	0 ... 160	H31	0 ... 1 500
B35	0 ... 250	D35	0 ... 25 000	F35	0 ... 250	H34	0 ... 3 000
B38	0 ... 400	D38	0 ... 40 000	F38	0 ... 400	H38	0 ... 6 000
B39	0 ... 600	D39	0 ... 60 000	F39	0 ... 600	H40	0 ... 10 000
B41	0 ... 1 000			F41	0 ... 1 000	H41	0 ... 15 000

Ordering reference

Ordering key - Configuration possibilities see website

	MEX3	-	#	#	#	.	###
Product	MEX3						
Case							
Case 1.4301 (304), bottom connection, back fixing for wall mounting					A		
Case 1.4301 (304), back connection, front flange, 3 holes for panel mounting					B		
Case 1.4301 (304), bottom connection					D		
Case 1.4301 (304), back connection					F		
Case 1.4301 (304), back connection, fixing clamp for panel mounting					G		
Case 1.4404 (316L), bottom connection, back fixing for wall mounting					1		
Case 1.4404 (316L), back connection, front flange, 3 holes for panel mounting					2		
Case 1.4404 (316L), bottom connection					4		
Case 1.4404 (316L), back connection					6		
Case 1.4404 (316L), back connection, fixing clamp for panel mounting					7		
Process connection							
G 1/8							1
G 1/4							2
1/8 NPT							4
1/4 NPT							5
M10 x 1							7
Damping fluid							
without							0
BH1, Glycerin 86 %							1
BH2, Glycerin 99 %							2
BH3, Silicone oil							3
BH4, Silicone oil (for lower temperatures)							4
BH5, Fluorinated oil							5
Measuring range⁽¹⁾							
bar (EN)							Bxx
kPa (EN)							Dxx
MPa (EN)							Exx
kg/cm ² (EN)							Fxx
psi (ANSI)							Hxx
bar/psi (EN)							Kxx
psi/bar (ANSI)							Sxx
psi/kPa (ANSI)							Vxx
kPa/psi (EN)							Wxx
mbar (EN)							Nxx

(1) Available standard measuring ranges, see table in section Measuring ranges. For ranges not listed, please contact Bourdon.

Ordering example

	MEX3	-	4	2	0	.	B22	/	Q001
Product	MEX3								
MEX3									

MEX3 (Bayonet bezel)

Industrial pressure gauge

MEX3-###.###/

Ordering reference

Ordering example

MEX3 - 4 2 0 . B22 / Q001

Case

Case 1.4404 (316L), bottom connection

4

Process connection

G 1/4

2

Damping fluid

without

0

Measuring range

0 ... 10 bar (EN)

B22

Certificate

Declaration of compliance with the order 2.1 according to EN 10204

Q001

Options

ATEX II2GDc T6-IM2c ⁽¹⁾	0078	Accuracy class 1	0841
Adjustable friction pointer	0679	2.1 Certificate	Q001
Pointer aluminium, black	0683	2.2 Certificate	Q002
Laminated safety glass	0751	3.1 Material certificate	Q003
Polycarbonate (Makrolon) window	0753	3.1 Calibration certificate 5 pts (rising)	Q008
Restrictor screw 0,3 mm	0769	3.1 Calibration certificate 5 pts (EN837)	Q009
Solid drawn bourdon tube	0816		

(1) Only with laminated safety glass window